

**DIAL THERMOMETER**

**EWC**



**Size :** Ø 100  
**Ends :** Male 1/2" BSP threaded  
**Min Temperature :** - 30°C  
**Max Temperature :** + 200°C  
**Max Pressure :** 40 Bars  
**Specifications :** Full stainless steel  
Bimetallic mechanism  
Accuracy class 2  
Instrument glass

**Materials :** Full stainless steel

## DIAL THERMOMETER

### SPECIFICATIONS :

- Full stainless steel
- Bimetallic mechanism
- Instrument glass
- Plunger Ø 8 mm
- Dial Ø 100 mm
- Male 1/2" BSP threaded
- Accuracy Class 2
- Protection IP31
- Tight tube

### USE :

- Not for viscous or crystallizing liquid
- For corrosives environment
- Min and max Temperature Ts :- 30°C to + 200°C
- Max pressure Ps : 40 bars

### RANGE :

- Stainless steel bimetallic dial thermometer with bottom connection and plunger 77 mm, graduation from -30 to + 50°C **Ref. 1680001**
- Stainless steel bimetallic dial thermometer with bottom connection and plunger 77 mm, graduation from 0 to + 120°C **Ref. 1680002**
- Stainless steel bimetallic dial thermometer with bottom connection and plunger 77 mm, graduation from 0 to + 160°C **Ref. 1680003**
  
- Stainless steel bimetallic dial thermometer with bottom connection and plunger 100 mm, graduation from -30 to + 50°C **Ref. 1681001**
- Stainless steel bimetallic dial thermometer with bottom connection and plunger 100 mm, graduation from 0 to + 120°C **Ref. 1681002**
- Stainless steel bimetallic dial thermometer with bottom connection and plunger 100 mm, graduation from 0 to + 160°C **Ref. 1681003**
- Stainless steel bimetallic dial thermometer with bottom connection and plunger 100 mm, graduation from 0 to + 200°C **Ref. 1681004**
  
- Stainless steel bimetallic dial thermometer with back connection and plunger 77 mm, graduation from -30 to + 50°C **Ref. 1685001**
- Stainless steel bimetallic dial thermometer with back connection and plunger 77 mm, graduation from 0 to + 120°C **Ref. 1685002**
- Stainless steel bimetallic dial thermometer with back connection and plunger 77 mm, graduation from 0 to + 160°C **Ref. 1685003**
  
- Stainless steel bimetallic dial thermometer with back connection and plunger 100 mm, graduation from -30 to + 50°C **Ref. 1686001**
- Stainless steel bimetallic dial thermometer with back connection and plunger 100 mm, graduation from 0 to + 120°C **Ref. 1686002**
- Stainless steel bimetallic dial thermometer with back connection and plunger 100 mm, graduation from 0 to + 160°C **Ref. 1686003**
- Stainless steel bimetallic dial thermometer with back connection and plunger 100 mm, graduation from 0 to + 200°C **Ref. 1686004**

### ACCESSORIES :



- S.S. glove finger 1/2" BSP threaded
  - For plunger 77 mm **Ref. 9880210**
  - For plunger 100 mm **Ref. 9880211**

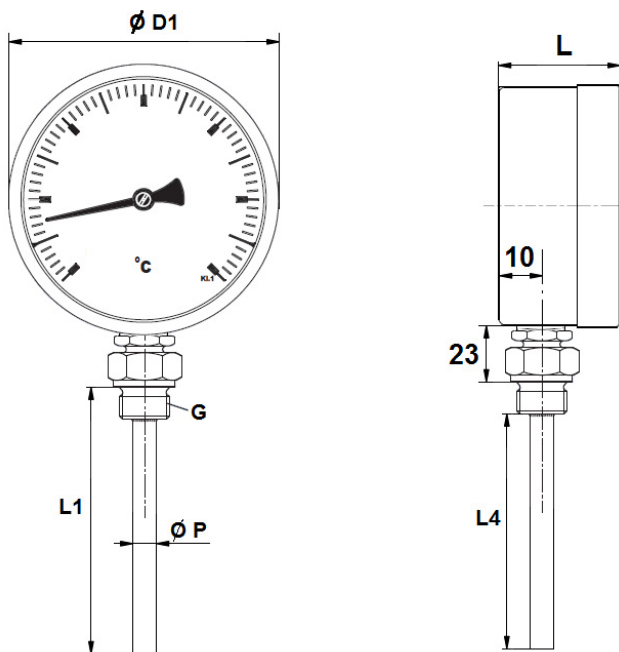
**DIAL THERMOMETER****MATERIALS :**

<b>DESIGNATION</b>	<b>MATERIALS</b>
<b>Box</b>	<b>SS 304</b>
<b>Fitting</b>	<b>SS 304</b>
<b>Mechanism</b>	<b>SS 304</b>
<b>Dial</b>	<b>Duralumin</b>
<b>Glass</b>	<b>Instrument glass</b>
<b>Needle</b>	<b>Duralumin</b>

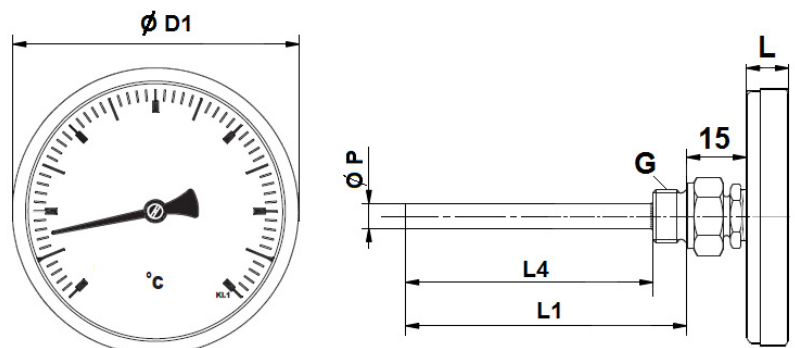
**DIAL THERMOMETER**

**THERMOMETER SIZE ( in mm ):**

Ref. 1680-1681



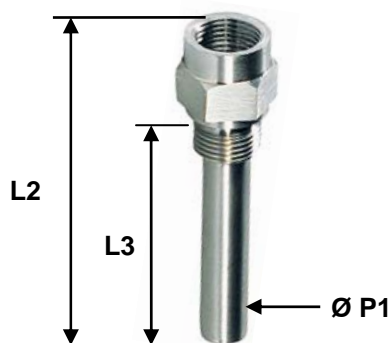
Ref. 1685-1686



Ref.	1680	1681	1685	1686
Ø D1	109	109	109	109
L	50	50	21	21
L1	77	100	77	100
L4	63	85	63	85
G	1/2"	1/2"	1/2"	1/2"
Ø P	8	8	8	8
Weight ( kg )	0.310	0.330	0.255	0.275

## DIAL THERMOMETER

**PLUNGER SIZE ( in mm ) :**



Ref.	9880210	9880211
L2	90	110
L3	65	86
Ø P1	14	14
Weight ( Kg )	0.110	0.140

**STANDARDS :**

- Fabrication according to **ISO 9001 : 2008**
- Designing according to **EN 13190**
- **DIRECTIVE 97/23/CE** : Products excluded from directive ( article 3, § 3 )

**ADVICE :** Our opinion and our advice are not guaranteed and SFERACO shall not be liable for the consequences of damages. The customer must check the right choice of the products with the real service conditions.